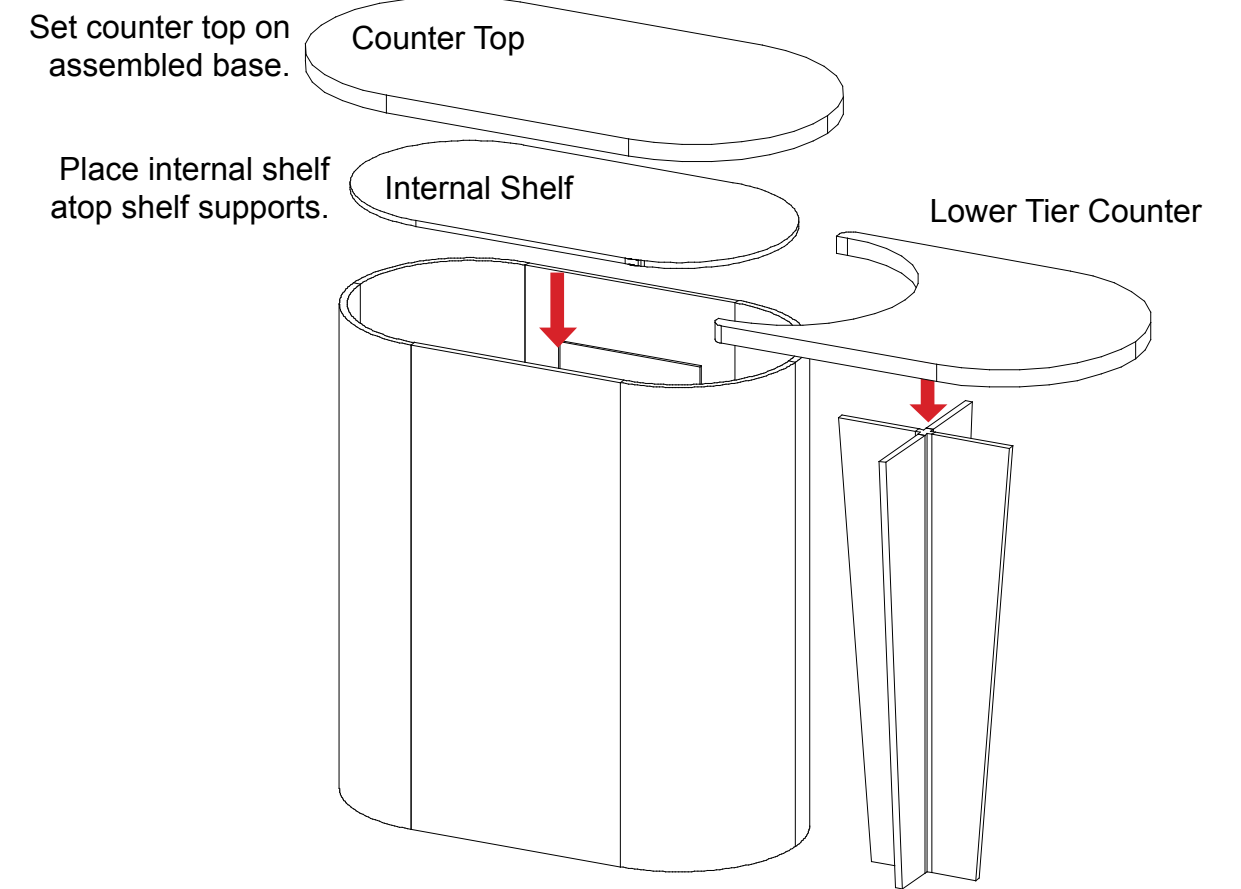
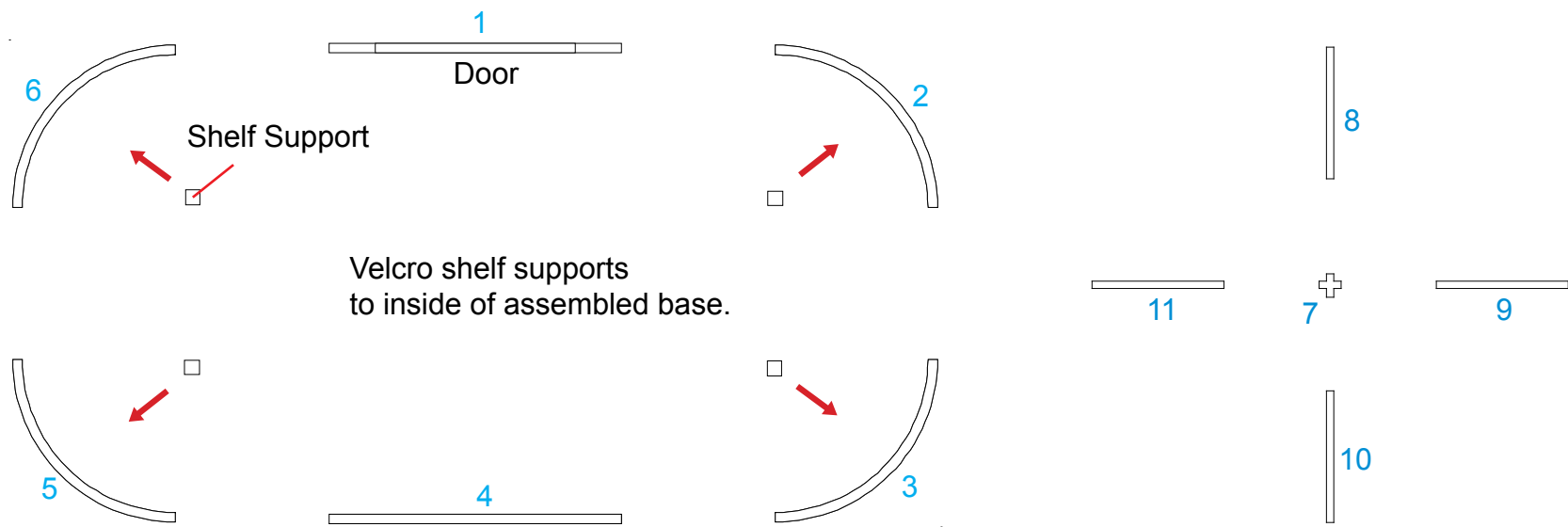
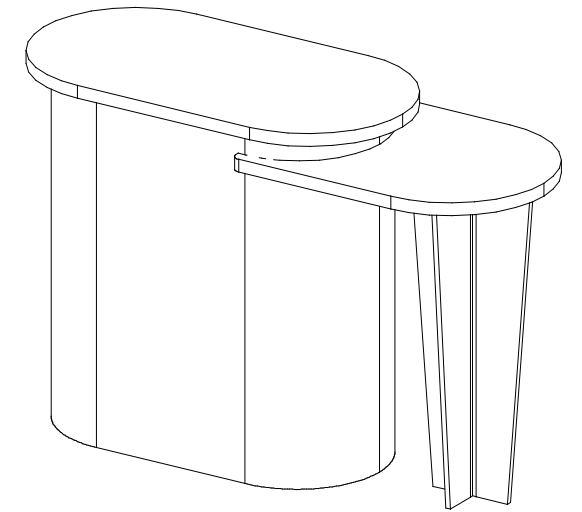


euro It

Item Number	Description
1	19"w x 42"h Flat Panel
2	42"h Curved Panel
3	42"h Curved Panel
4	19"w x 42"h Flat Panel w/Door
5	42"h Curved Panel
6	42"h Curved Panel
7	38"h 4-way Connector
8	7"w x 38"h Tapered Panel
9	7"w x 38"h Tapered Panel
10	7"w x 38"h Tapered Panel
11	7"w x 38"h Tapered Panel



euro It | HYBRIDS

Euro LT Hybrids General Setup Instructions

Using Your Setup Instructions

The Euro LT Hybrids Setup Instructions are created specifically for your configuration. They are laid out sequentially in levels, including exploded views, and a logical series of detailed steps to assemble the main structure and components. We encourage you to study the instructions **before** attempting to assemble your exhibit.

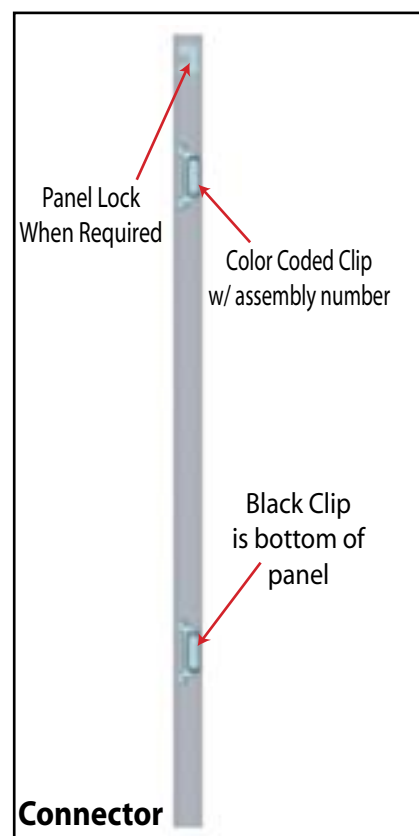
Cleaning and Packing Your Display

- 1) When cleaning laminate countertops or panels use mild cleansers and a soft material such as cotton.
- 2) Keep all display components away from extreme heat and long exposure to sunlight to avoid warping and fading.
- 3) Retain all packing material. It will make re-packing much easier and will reduce the likelihood of shipping damage.

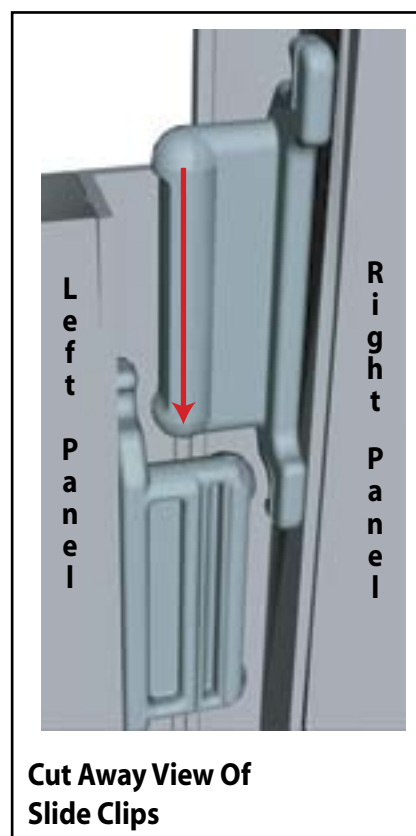
Level 1 = Blue
 Level 2 = Red
 Level 3 = Green
 Level 4 = Black

Color Code

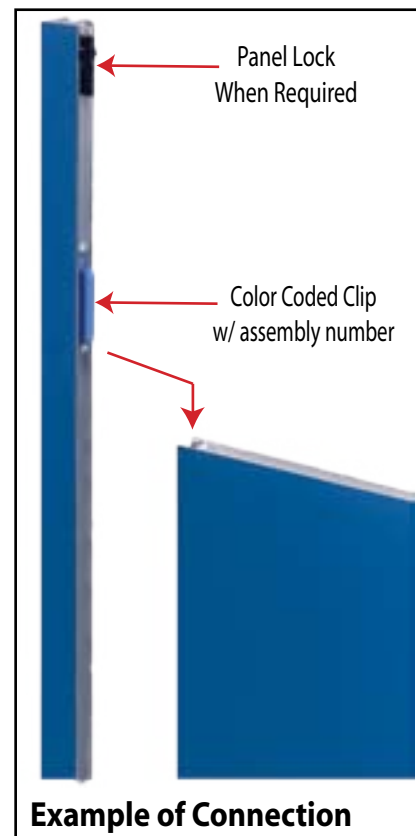
The top clip is color coded to distinguish the level. The color coded clip also contains the numbered label



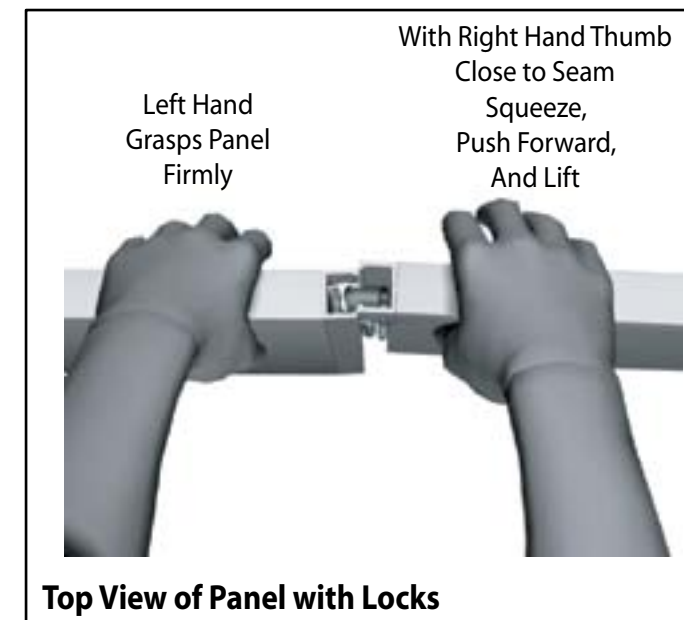
Each component has 2 clips, the lower clip is ALWAYS black.



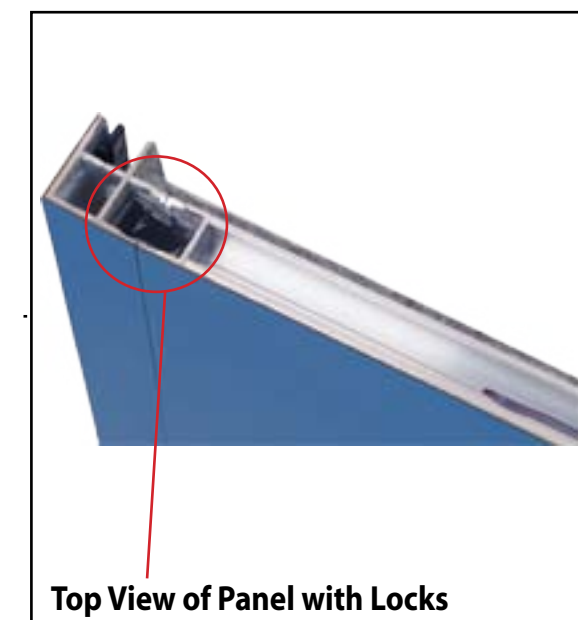
Components connect together by aligning them and sliding downward connecting clips together.



Configurations are assembled from left to right, usually starting with #1 and following the numbered sequence.



The first level of components contains panel locks that are located at the top of the panel for extra stability and a seamless connection. When disassembling panels, twist top connection slightly and lift right panel upward.



NOTE :

PDF copies of your Setup Instructions are available @ classicexhibits.com
 See the search tool on the lower left hand corner of the Home page.

Enter the 5 digit Order #.

Search for Setup Instructions